

connections

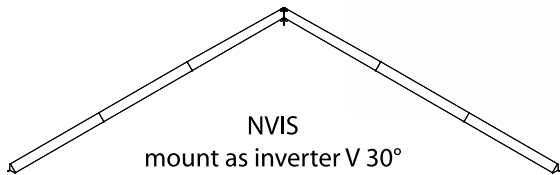
CABLE DATA SHEET:

Outside diameter	5 mm (0,200")
Max Power	10 KW RF @ 30Mhz
Costruction	Kevlar core - silver plated copper braid - PE insulation cover
Colour	Black
Coil	100 mt
Temperature range	- 100 + 155 C*
Weight	26 g/m
DC resistance	37 Ohms/Km
Breaking load	6500 N (1433 lbs)

dia 5 mm Polithene Jacket, high resistant

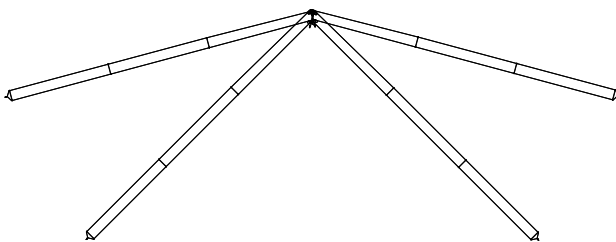
Kevlar core

Silver plated copper braid

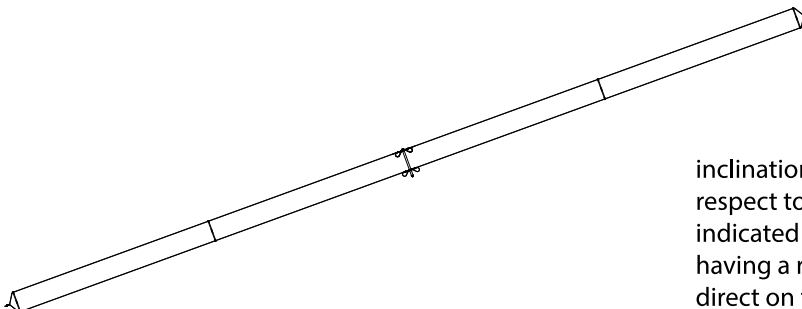


NVIS
mount as inverter V 30°

30° to ground arm position



Two antenna cable crossing connection
to 306° irradiation lobe



inclination of about 20 ° the straight antenna
respect to the ground is obtained a
indicated slope configuration for
having a radiation lobe more
direct on the horizontal plane